



User Manual

Progressive Scan Display Interface

DVDO Technology



Table of Contents

<u>TABLE OF CONTENTS</u>	3
<u>INTRODUCTION</u>	5
<u>INSTALLATION AND SETUP</u>	7
TYPICAL CONFIGURATION	7
SYSTEM REQUIREMENTS.....	8
CONNECTIONS	8
COLOR SPACE SELECTION	10
SYNCHRONIZATION SIGNALS	10
<u>OPERATION</u>	12
INPUT SELECTION.....	12
ASPECT RATIO CONTROL / SQUEEZE MODE	12
PICTURE CONTROLS	13
FILM MODE INDICATOR.....	13
<u>TROUBLESHOOTING</u>	14
<u>HOW IT WORKS</u>	16
BACKGROUND.....	16
DEINTERLACING	17
VIDEO PROCESSING	18
<u>TECHNICAL SPECIFICAT IONS</u>	19
<u>WARRANTY INFORMATION</u>	21

SAFETY INFORMATION: 22

SAFEGUARDS 22

PRECAUTIONS: 22

APPENDIX A – INTERNAL JUMPER SETTINGS..... 23

REMOVING THE iSCAN PRO MOTHERBOARD 23

MODIFYING COMPOSITE SYNC JUMPER SETTING..... 24

MODIFYING SYNC-ON-GREEN JUMPER SETTING..... 24

REASSEMBLING THE iSCAN PRO..... 24

Note:

- ◆ Silicon Image, DVDO, © Scan, iScan and iScan Pro are trademarks of Silicon Image, Inc. This product is covered by pending U.S. and foreign patents.

Note: This page intentionally left blank.

Introduction

Your iScan Pro package contains:

- iScan Pro Line Doubling Upconverter
- Universal power supply module
- Power cable
- Composite video input cable
- S-Video input cable
- Component video input cable
- User Manual

Your iScan Pro package does not contain an output cable. You will need to purchase an output cable that works with your display device. There is more information on these cables in the Installation section.

Installation and Setup

Typical Configuration

Figure 1 shows a typical configuration for a home theater system. In this setup, the iScan Pro is being used to enhance the output from a DVD player, a satellite receiver and a VCR before the selected signal is sent to a rear screen projection TV, or another progressively scanned display device. Your configuration may be significantly different from this but the basic functional blocks – input devices, input cables, iScan Pro, output cable and display device – will exist in your system.

One common deviation from this configuration is to use an A/V Receiver or another video switching device to switch the video signals from the input devices. In this case, the input devices shown below will be connected to the inputs of the A/V Receiver. The output of the A/V Receiver will then be the only input device to the iScan Pro.

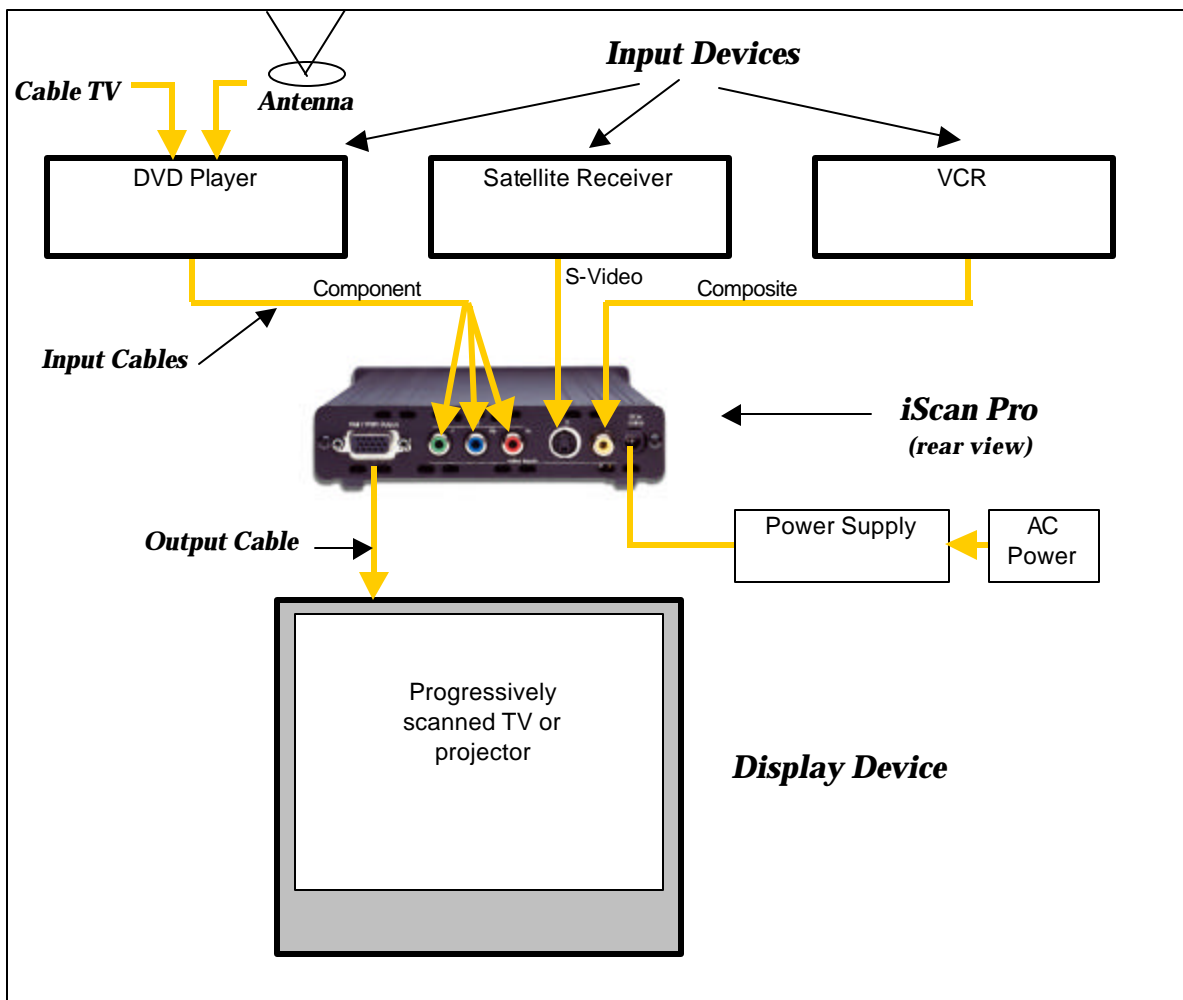


Figure 1: Example Home Theater setup

System Requirements

The iScan Pro is designed to interface to 31.5 kHz progressively scanned display devices such as:

- Data projectors
- Home Theater video projectors (31.5KHz scan rate required)
- HDTVs
- Progressive scan and Multimedia TVs
- Plasma TVs
- Computer monitors

If you are not sure whether or not your display will work with the iScan Pro, contact your dealer or check the compatibility list on our web site at www.siimage.com.

The iScan Pro accepts NTSC, PAL and SECAM video sources on any one of its input connectors.

Connections

Inputs

There are three available inputs on the iScan Pro:

Input 1: Composite video

Input 2: S-Video

Input 3: Component video (YPbPr)

We recommend using the component video input for a DVD player and the S-Video input for satellite receiver and/or digital cable box. For VCRs or laserdisc players, chances are good that using the composite video input will give you a better picture because the iScan Pro typically has better Y/C separation circuitry than most of these devices. However, you should try both composite and S-Video to see which works better in your system.

To connect a cable or antenna input, we recommend running that cable to a VCR and using the composite video output from the VCR to the iScan Pro.

The iScan Pro will automatically search for and select whichever of the three input ports is active. You can also specify a priority-input choice so that if two or more of the inputs are active, the priority switch indicates which input to use. See the *Operation* Section for more detail.

Output

The iScan Pro uses a single 15-pin VGA-style connector for its output. This is the same type of connector that most computers use to drive computer monitors.

In order to connect the iScan Pro to your progressive scan TV, video monitor or projector, you will need to determine what type of input connector your set has. Consult your display owner's manual for more details about requirements of the input connector.

The VGA output connector on the iScan Pro unit allows different configurations of cables.

For progressive scan TVs / monitors / projectors with VGA input:



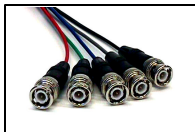
A high quality VGA-to-VGA computer monitor cable should be used to connect the iScan Pro's output to devices that can accept progressive signals through a VGA connector.

For progressive scan TVs / monitors / projectors with BNC input connectors:



Many high-end TVs, monitors and CRT projectors have BNC input connectors. There are usually either 3, 4 or 5 BNC connectors depending on how your display device handles synchronization signals. These connectors are most commonly used for RGB but are sometimes used for Component (YPbPr) signals as well. A standard VGA-to-BNC breakout cable can be used to attach the iScan Pro to any projector or television that has BNC connectors. The connections are shown in Table 1.

For progressive scan TVs / monitors / projectors with component input:



+



The most common plug used for Component Video connections consists of 3 RCA-type jacks. These are the same connectors that are used for many types of audio connections. VGA-to-RCA cables are very rare so we recommend using a VGA-to-BNC cable in combination with a set of three BNC-to-RCA adapters. The red, green and blue BNC connectors should be used with the adapters and the two remaining wires can be left unconnected. The connections are as shown in Table 1.

Power Supply

The iScan Pro comes with a universal power supply module that accepts 100–240 VAC at 50/60 Hz. Plug the power supply into the wall outlet and then plug the small round connector into the “DC-In” jack on the back of the iScan Pro. Only use the power supply that comes shipped with the iScan Pro. The iScan Pro unit may be damaged if a power supply that does not meet its power requirement is used.

To meet FCC and EMI guidelines, the iScan Pro power supply comes with a snap-on ferrite collar similar to those supplied with laptop computers and other portable electronic devices. The ferrite



collar should be snapped on the end of the cable leading from the power supply to the iScan Pro as shown in the illustration below. Looping the power supply cable twice through the ferrite and placing the ferrite as near the end of the cable as possible will maximize its effectiveness.

Color Space Selection

The iScan Pro can output video in one of two different color spaces. The first is the Red-Green-Blue (RGB) color space that is commonly used for projectors, displays and monitors that are designed to accept computer video output.

The second is Component Video, but is more accurately called YPbPr though you may hear it referred to as Y-Pr-Pb, YUV, Y-Cr-Cb or Y/B-Y/R-Y (read “Y, B minus Y, R minus Y”). This color space is commonly used for newer digital TV sets, displays and projectors that are designed for use with Digital TV (DTV) tuners.

You will need to determine which color space is used by your progressively scanned display and move the Color Space switch on the front panel of the iScan Pro to the appropriate position.

UP	RGB
DOWN	YPbPr

Typically, inputs on display devices that are labeled “Component Video”, “DTV” or “HDTV” are YPbPr whereas inputs that are labeled “Computer” or “VGA” are RGB. Once set up, this switch should not need to be changed unless you are changing display devices.

Synchronization Signals

All video devices require one or more synchronization signals that tell the device when to start a new line and/or a new field. For YPbPr devices, this sync information is embedded in the Y signal.

For RGB devices, there are a variety of ways that this sync information can be conveyed and the iScan Pro can support most of these. The iScan Pro generates separate H (horizontal) and V (vertical) sync signals in addition to the RGB outputs. This results in a total of five signals (RGB/HV). For many configurations, these five signals will be part of a single VGA-to-VGA output cable and there will be no need to worry about the individual signals. For some devices you may need to connect all five of these signals to individual BNC or possibly RCA type connectors. See Table 1 below for more specific connection information.

Some display devices require that the two H and V sync signals be combined into a single “composite sync” signal, resulting in a total of 4 signals (RGB/S). Devices requiring composite sync typically accept the three video signals as well as the composite sync signal on BNC type connectors.

Other devices require that the composite sync signal be further combined with the RGB Green signal. This is referred to as “sync on green” and is typically connected to the device using 3 BNC connectors, though 3 RCAs may also be used.

If your output device falls into either of these last two categories – composite sync or sync on green – the iScan Pro will need to be internally configured to output the appropriate type of sync signal. To do this you will need to follow the directions in Appendix A.

With YPbPr connections, the composite sync is always combined with the Y signal. The iScan Pro will automatically do this whenever the color space switch is set to YPbPr. It is not required to configure any of the internal jumpers for any YPbPr device.

Wire Color	Display Devices			
	RGB/HV	RGB/S(comp)	YPbPr	Other
Red	R (Red)	R (Red)	Pr	Cr or R-y
Green	G (Green)	G (Green)	Y	Y
Blue	B (Blue)	B (Blue)	Pb	Cb or B-y
White (or Gray)	H (Horizontal)	C-Sync	no connect	no connect
Yellow (or Black)	V (Vertical)	no connect	no connect	no connect

Table 1: Wire Color Cross-Reference

Operation

Input Selection

The iScan Pro has been designed to detect which one of the three possible input devices are turned on and are generating video signals and then automatically switch to this input. With this capability, you can switch inputs simply by turning one input device on or by turning another device off.

To improve this functionality we have included an input priority switch labeled "priority", found on the front of the iScan Pro, which specifies which of the inputs to use when there are multiple active inputs. This can be used if there is one particular input that you prefer to leave on at all times. For instance, you may wish to leave your VCR on but would like the iScan Pro to switch to your DVD player whenever it is on. In this case, you would set your Input Priority switch to the number of the input that is connected to your DVD player. Since the VCR is always on, it will be selected when neither of the other two inputs are active. When the DVD player is turned on, the iScan Pro will automatically switch to that input.

The iScan Pro searches for active inputs in the following order. First it checks the "Input Priority" switch selection. If no active video signal is found on the input indicated by the switch selection, it checks the Component Video input, then the S-Video input and then the Composite video input. This search is continuous so if the iScan Pro is processing an input, which becomes inactive, the iScan Pro will then automatically switch to the next active input. Likewise, if the iScan Pro is processing video from one input when a higher priority input becomes active, it will automatically switch to using the new input.

If there is no active input, the iScan Pro will slowly flash between the three inputs. After a while, the iScan Pro will turn off all of the indicators on the front panel except for Power, which will turn from green to red. This indicates that the iScan Pro is in Sleep mode and is consuming less power. As soon as any video input becomes active, the iScan Pro will wake up and begin processing the input.

Aspect Ratio Control / Squeeze Mode

Most widescreen television sets will provide a button on the remote control that allows you to change the aspect ratio of the displayed image. This will allow the user to view normal material (4:3) in a smaller region in the center of the screen with black or gray bars to the left and right of the image. However, some of these sets disable this control when receiving a high definition (HDTV) signal or a signal that has been upconverted. The Squeeze Mode is designed specifically for these sets.

If you have a widescreen TV, you will be able to determine the function of the Aspect Ratio control switch simply by moving it up and down into the three positions and watching the output. In the top position, video material is passed through the iScan Pro with no change in aspect ratio. This is perfect for anamorphic DVDs but will cause regular 4:3 pan-and-scan or 4:3 letterboxed material to look too wide, with all of the people and buildings appearing too short and too fat.

The bottom two settings will correct this aspect ratio problem. The only difference between these two settings is that one will use black bars on the sides of the image whereas the other will use gray bars. We strongly recommend that you use the gray bars if your display is a CRT or plasma based unit. If you were to use the black bars instead, you are guaranteed to cause some display burn-in over time. This is an effect that is caused by the phosphor or plasma slowly wearing out in the center of the screen (where the video is) at a different rate than on the edges (where the black bars are). This would leave a visible dark area in the center when you return to widescreen mode.

Since nearly all televisions sold are CRT-based, it is likely that the gray bar setting is the safest for your display. However, LCD and DLP-based projectors and displays do not suffer from burn-in so it is safe to use the black bar setting.

Picture Controls

The iScan Pro provides the ability to adjust five picture control settings. These are:

- Brightness
- Contrast
- Saturation (Color)
- Hue (Tint)
- Sharpness

To adjust a picture control setting, turn the potentiometer clockwise to increase the setting or counterclockwise to decrease the setting. This is shown in the figure below.



Figure 2: Picture Controls (Front View)

The iScan Pro is shipped with picture control settings at nominal.

Please note that Sharpness and Hue functions are not applicable to the component input.

Film Mode Indicator

The blue “film” indicator on the iScan Pro front panel turns on whenever the iScan Pro has recognized a video sequence that is originally captured from film. The indicator may turn off if the video sequence captured is film and there is very little motion.

Troubleshooting

◆ What do I do if no LEDs light when I plug the power supply?

The iScan Pro should automatically come “on” when plugged in. Check the connections to the iScan Pro, and to the power source. If all of these look good, you may have a failed power supply or a failed unit.

◆ What do I do if the power is on but I get no picture on the screen?

The basic troubleshooting procedure is:

- 1) Check the Power indicator. If it's not lit, you may have a bad power supply.
- 2) If the Power indicator is lit, check the Input indicators. Does the iScan Pro indicate that the input is active?
- 3) If so, try plugging that same input cable directly into your display to see if that works.
- 4) If it's OK, plug it back into the iScan Pro and make sure that, again, the input indicator switches to that input.
- 5) In order to test the output, we generally recommend hooking up the iScan Pro to any inexpensive computer monitor using a standard VGA-to-VGA computer monitor cable. Make sure that you use a different cable than the one that you are using for your display. Also make sure that the “Colorspace” switch on the front of the iScan Pro is set to the RGB position. Since all but the most ancient computer monitors are capable of displaying a VGA type signal, and since the iScan Pro generates nearly an identical signal, this should allow you to reliably check the output of the iScan Pro.
- 6) If the computer monitor displays the video OK, then the problem is either in the original video output cable, its connection to the display, the colorspace setting or in the display itself.
- 7) Try a different output cable with your display to see if that's the problem.
- 8) Try flipping the colorspace switch back and forth to see if that helps.
- 9) If neither of these helps, verify once again that your display is capable of accepting a 31.5 KHz input. Beyond this, you may wish to contact the dealer where you bought the iScan Pro and/or the display.
- 10) If the computer monitor doesn't show the video output and a different cable was used then it sounds like there might be something wrong with the iScan Pro. In these cases, you should contact your dealer for service.

◆ What do I do if the power is on and I get a stable image but my colors are incorrect?

- Using a DVD or VCR in pause mode do the following:
- Flip the color space switch on the back panel of the iScan Pro to see if that fixes it.
- If not, try wiggling the output cable at the iScan Pro and at the display to see if it has any effect.
- If you are using an RGB device with BNC, try removing all three color signals (Red, Green, Blue) and reinserting them one at a time. First insert the Red wire into the Red input connector and see if the image appears but is red.
- Then remove the Red signal and insert the Blue signal into the Blue connector and verify that the picture is blue.
- Then repeat with only the Green.
- If all three of these work, then plug them all back in again.
- Still no luck? It may be that the colors on the cable are mislabeled. Using a source with colors that you are familiar with, try to determine if two of the colors are swapped.
- If you are not using RGB but are using YPbPr inputs, then try removing the Pr and Pb (red and blue) connectors from your display. This should result in a black and white picture.

- Insert just the Pr (red) signal into the Pr connector. This should result in a red picture.
- Remove the Pr and insert the Pb into the Pb connector. This should give you a blue picture.
- If one or the other of these combinations does not give the expected results, it may be a problem with the output cable or the input connectors on the display. Try plugging the Pr connector into the Pb input and verify that the video is blue. If it is, that means that the Pr signal on the output cable is OK and the Pb input on the television is OK.
- Try the same with the Pb signal and the Pr input connector to verify the Pb cable connection and the Pr input.
- Beyond this, we recommend that you contact your dealer for further technical support.

◆ **Where can I get information to determine if the iScan Pro is a good match for my display device?**

The iScan Pro will provide superior decoding, deinterlacing, 3:2 pulldown detection, 2:2 pulldown detection and motion compensation. However many display devices have poor quality scaling which takes place after the iScan Pro processing, and may in fact degrade the video that will be viewed.

◆ **In addition to the iScan Pro, I also have an HDTV decoder. How do I hook them both up to my TV set, which only has one YPrPb input?**

There are a variety of high quality video switchers that are available for <\$150. Most of these are designed to allow the use of one computer monitor with more than one computer. We recommend finding one that can handle at least SXGA type signals. These devices use a standard female VGA connector for the display connection but sometimes use two male VGA connectors to connect to the computers. Since the iScan has a female VGA connector, you will need a VGA "Extender" cable, not a regular VGA cable to hook it up to the input of the switcher.

This type of switcher could be used for either RGB or YPrPb type displays.

The iScan Pro was designed to operate continuously for many years. If you have any problems with the unit, please call or visit the dealer where you purchased the iScan Pro. They will be happy to assist you. Should your iScan Pro need repair or replacement, your dealer will be able to handle that for you as well.

How it Works

Background

On a normal television, the video image is made by sweeping an electron beam across the face of the set where it excites phosphors causing them to glow. While repeated scanning across the tube, the television changes the intensity of the beam to vary the brightness of the image. If you look closely at the picture on a television set, you will see the horizontal scan lines that make up the image.

The standard video signal in North America (officially referred to as the NTSC standard) consists of approximately 240 visible horizontal scan lines per video field, with fields occurring 60 times per second. When this standard was originally conceived, the average television was relatively small so a typical viewer would not be able to pick out the individual scan lines but would instead see what appears to be a smooth picture. As televisions have grown larger however, these lines have become more noticeable and with large televisions and projectors, they have become an annoying element of the image. Video Line Doublers were originally conceived to try to address this issue by increasing the number of lines scanned across the face of the display.

It is not simply a matter of drawing more lines. To understand how a modern line doubler works, it is necessary to understand the difference between interlace and progressive scanning.

Interlace scanning is used in today's standard analog televisions. An interlaced TV "paints" the lines of a frame in two separate passes. Half of the lines are drawn in the first pass (the even lines), and the other half (the odd lines) are drawn in the second pass. First devised so that early TVs could have decent resolution with the limited transmission technologies available at the time, interlaced scanning has several unfortunate side effects that are discussed below.

The first major problem with interlaced scanning is that the image may visibly flicker if the screen is large enough that it represents a significant portion of the viewing angle. Even with small screens, sharp edges on objects may flicker. This effect is due to the fact that only every other line is drawn on each pass causing hard edges to appear to move up and down on each field.

In addition, more problems are caused by the fact that horizontal lines that are one above the other are from two different fields, that is, they were not captured by the video camera at the same time and they are not drawn on the screen at the same time. If motion occurs during the time between these two fields, the edge of the moving object will appear to be very jagged. This jagged edge is usually not noticeable to most television viewers because as the new field is being drawn, the "older" field is fading in intensity. However, on high-resolution displays or on devices such as Liquid Crystal Displays (LCD's) or plasma panels that do not fade, an interlaced image will contain noticeable motion artifacts.

These types of effects are the reason that a line doubler can't simply repeat each of the incoming lines and expect the output image to be acceptable. Instead a doubler will first have to fully "deinterlace" the image, removing the motion artifacts described above while still retaining as much detail as possible.

Deinterlacing

Deinterlacing is the process by which interlaced video is converted to progressively scanned video. Progressive scanning paints all of the lines of a frame in one top to bottom pass. This is used where transmission bandwidth is not an issue and where the highest quality image is required. None of the interlaced side effects are present with progressive scanning.

Devices for performing deinterlacing are available for tens of dollars for low quality techniques or many thousands of dollars for very sophisticated techniques. The low cost techniques are frequently used in progressively scanned TVs or projectors. High quality algorithms capable of generating very high quality video are typically used in Line Doublers designed for high-end home theater markets.

Some very inexpensive deinterlacers simply put fields together, creating an output frame containing even lines from one point in time and odd lines from 1/60 second later. Any motion between these two fields will result in the motion artifacts illustrated above.

To avoid these artifacts, some deinterlacers simply scale each of the fields up to the entire frame size, interpolating between the existing lines. Unfortunately, this also significantly reduces the vertical resolution of the image, resulting in softening of the picture with loss of image detail.

One method of avoiding this softening is to determine if there is any movement between fields by comparing each of the fields with its counterpart in a previous frame. Further refinement of this algorithm would be to apply the softening filter only to portions of the image that are in movement. This is referred to as "motion adaptive" deinterlacing.

The most advanced and best quality Line Doublers are designed to also take advantage of the "3:2 pulldown" technique that is used to transfer film to video. During this transfer, the first film frame is captured onto 2 video fields (first even, then odd lines are scanned) then the second film frame is captured onto 3 video fields (even, odd, even). As this is repeated, you can see that two 24fps film frames (for a total of 1/12 of a second) are captured onto five 60fps video fields (for a total of 1/12 of a second). A deinterlacer can examine a series of fields to detect this sequence and thereby determine that the original, pre-video source of this sequence was film. It can then reassemble the original progressive frames from the partial interlaced fields with no loss of resolution or with no introduction of motion artifacts.

Silicon Image's DVDO technology performs even more advanced techniques than those described above. Performing over six billion arithmetic operations per second on the incoming video stream, the iScan Pro uses the data from four video fields during its processing. It can determine not only which portions of the image are in motion, but also what type of movement this is, and how best to generate a progressive image with maximum picture detail and minimum motion artifacts.

The iScan Pro performs excellent 3:2 pulldown detection. In addition, it also recognizes the 2:2 pulldown sequence used for converting PAL film and computer graphics to video. For these film and computer graphics sources, the iScan Pro will reassemble the original progressive frames with no unnecessary filtering of image detail.

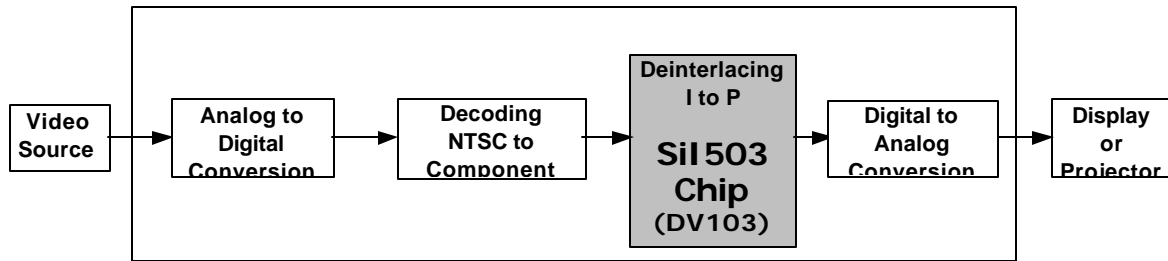


Figure 3: System Block Diagram

Video Processing

All of the processing steps in the signal chain between your video source and the display influence the quality of the image.

The following are brief descriptions of the series of steps shown in Figure 3.

1. A signal is generated by a source (DVD player, Laser Disc, VCR, Cable Box, DSS Receiver...)
2. The signal is converted from analog to digital.
3. The digital video signal is decoded from NTSC composite or S-Video (Y/C) to its basic components of Y, Cr and Cb.
4. The component signal is converted from interlace to progressive by the Sil503 chip.
5. The progressive signal is converted back to analog RGB or YPbPr and sent over a cable to the display.

The iScan Pro processes steps 2, 3, 4, and 5, but the final quality of the displayed image depends both on the quality of the source and the display device.

Technical Specifications

Video Inputs

- One Component (YPbPr) input on standard RCA connectors
- One S-Video (Y/C) input on standard mini-DIN connectors
- One Composite video input on standard RCA connector
- Auto-sensing and switching with input priority switch
- Accepts standard NTSC/PAL/SECAM interlace scan video signals

Video Output

- 15-pin VGA-type HD-15 connector
- User-selectable RGB or YPbPr output color space
- RGB – 0.7Vpp, YPbPr – 0.7Vpp, Sync on Y – 1.0Vpp
- Separate H, V synchronization standard; user-selectable composite sync and sync on green
- Outputs 480p/576p progressive scan video, 31.5kHz/31.25kHz scan rate
- 525 total video lines per frame, 480 active lines (NTSC)
- 625 total video lines per frame, 576 active lines (PAL/SECAM)
- 10-bit video DACs

Controls

- Input select priority switch (1/2/3)
- Color space select (RGB or YPbPr)
- Squeeze mode control (Squeeze w/black borders, Squeeze w/Gray borders, Normal)
- Sync-on-Green, Composite Sync, VCR mode jumpers inside of unit
- Picture Controls: Brightness, Contrast, Saturation, Hue, Sharpness

Input Stage

- High-performance multi-standard video decoder
- High quality adaptive comb filter for 2D Y/C separation

Source Detection

- Film (3:2 pulldown)
- Computer Graphics (2:2 pulldown or 30 fps)
- Video camera
- Video game consoles (single-field sources)
- Advanced Transition Management (smooth handling of source sequence changes)
- Auto-dynamic thresholds enable reliable 3:2 pulldown detection even with noisy sources

Video Processing

- Four input fields used to determine contents of each output frame
- Progressive Source Detection and reassembly of original frames
- Motion detection on fine-grained cell basis
- Motion-adaptive video deinterlacing
- Cubic interpolation for pixel calculations
- Diagonal processing reduces "jaggies"

Cables (included)

- Component Video, S-Video, Composite Video

Power

- 100-240VAC 50/60Hz
- 6V DC-In, 9W (active), 2.5W (standby)

Dimensions (in/cm)

- 8.3/21L x 5.8/14.7W x 1.4/3.5H

Weight (lb/kg)

- 1.3/.6 (excluding power supply)

- 4.2/1.9 shipping

Operating Temperature

- less than 40 °C

Warranty Information

LIMITED WARRANTY.

Silicon Image, Inc. Warrants only to the initial purchaser of this product who returns the warranty card accompanying this product, for a period of one year from the purchase date, that the product will be free of mechanical defects that materially affect the product's operation as described in this manual. SILICON IMAGE'S obligations shall be, at its sole option, to repair or replace the product with equivalent or better, or to refund the net original purchase price. FAILURE TO RETURN THE WARRANTY CARD WILL MATERIALLY AFFECT YOUR RIGHTS UNDER THIS WARRANTY.

DISCLAIMER OF WARRANTY.

ALL IMPLIED WARRANTIES OF MERCHANTABILITY OR FITNESS FOR A PARTICULAR PURPOSE ARE LIMITED TO ONE YEAR FROM PURCHASE; ALL OTHERS EXPRESS OR IMPLIED CONDITIONS, REPRESENTATIONS AND WARRANTIES, INCLUDING ANY IMPLIED WARRANTY OF NON-INFRINGEMENT, ARE DISCLAIMED. Some jurisdictions do not allow limitations on how long an implied warranty lasts, so the above limitation may not apply to you. This warranty gives you specific legal rights, and you may also have other rights, which vary by jurisdiction.

LIMITATION OF LIABILITY.

TO THE EXTENT NOT PROHIBITED BY LAW, IN NO EVENT WILL SILICON IMAGE, INC. OR ITS SUPPLIERS BE LIABLE FOR ANY LOST REVENUE, PROFIT OR DATA, OR FOR SPECIAL, INDIRECT, CONSEQUENTIAL, INCIDENTAL, OR PUNITIVE DAMAGES, HOWEVER CAUSED REGARDLESS OF THE THEORY OF LIABILITY, ARISING OUT OF OR RELATED TO THE USE OF OR INABILITY TO USE THE PRODUCT, EVEN IF SILICON IMAGE, INC. HAS BEEN ADVISED OF THE POSSIBILITY OF SUCH DAMAGES. IN NO EVENT WILL SILICON IMAGE, INC.'S LIABILITY TO YOU, WHETHER IN CONTRACT, TORT (INCLUDING NEGLIGENCE), OR OTHERWISE, EXCEED THE AMOUNT PAID BY YOU FOR THE PRODUCT. The foregoing limitations will apply even if any warranty or remedy provided to you fails of its essential purpose. Some jurisdictions do not allow the exclusion or limitation of incidental or consequential damages, so the above limitation or exclusion may not apply to you.

Safety Information:

Safeguards

- ◆ To reduce the risk of electric shock, do not expose this appliance to rain or moisture; do not operate the iScan Pro with the cover removed.
- ◆ If the wall plug does not fit into your local power socket, then ask your electrician to replace your obsolete outlet. Do not modify the wall plug. To do so will void the safety feature.

Precautions:

Warning – FCC Regulations state that any unauthorized changes or modifications to this equipment not expressly approved by the manufacturer could void the user's authority to operate this equipment.

- Only operate your iScan Pro using the included external power supply. Use of other supplies could impair performance or damage your iScan Pro or could cause fires.
- ◆ As a safety feature, the included external power supply is equipped a 3-wire grounded plug (a third pin for grounding). The 3-wire grounded plug will fit only into a grounding-type outlet.
- ◆ Protect and route power cords so they will not be stepped on or pinched by anything placed on or against them. Be especially careful at plug-ins, or cord exit points from the iScan Pro.
 - Do not cover or block ventilation holes in the iScan Pro cabinet. Doing so may damage the unit or cause improper operation.
 - Avoid excessive humidity, sudden temperature changes or temperature extremes.
 - Keep your iScan Pro away from wet locations such as bathtubs, sinks laundries, wet basements and swimming pools.
 - Use only accessories recommended by the manufacturer to avoid fire, shock or other hazards.
 - Unplug your iScan Pro before cleaning. Use a damp cloth for cleaning. Do not use cleaning fluids or aerosols, which could enter the unit and cause damage, fire or electrical shock. These substances may also mar the finish of your iScan Pro.
- ◆ Never open or remove covers or make any adjustments not described in this manual. Attempting to do so could expose you to dangerous electrical shock or other hazards. It may also cause damage to your iScan Pro.
- ◆ Do not attempt to service this unit. Instead, disconnect it and contact your authorized Silicon Image dealer or distributor or Silicon Image directly.

“WARNING – FCC Regulations state that any unauthorized changes or modifications to this equipment not expressly approved by the manufacturer could void the user's authority to operate this equipment.”

Appendix A – Internal Jumper Settings

These modifications are only required in very rare circumstances. Composite Sync and Sync-on-Green are only required in RGB mode (never Component/YPbPr mode) and typically only with older, large front projectors. The rule of thumb is if you are seeing a picture on your display, then you have the sync settings correct.

To modify these internal settings, you will need to change a jumper that is only available after opening up your iScan Pro unit. Read through these instructions first and if you feel that you are not comfortable with performing this type of operation, please ask your dealer to make the modification for you. They are generally happy to do so.

Removing the iScan Pro motherboard

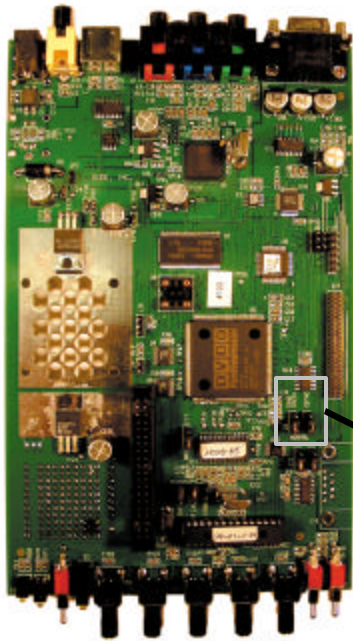
- 1) Find an electrostatic-free environment to work at. Having no carpeting or static-free carpeting is strongly recommended. If you can find an area with some heavy metal parts within easy reaching distance, touching these will allow you to discharge yourself before beginning work.



Rear Panel Screws

- 2) Turn the iScan Pro unit so that the back of the unit is facing you. Remove the two screws on the back of the unit and set aside in a safe place – you will definitely need these screws later!
- 3) Discharge yourself by touching some grounded, heavy metal object nearby.
- 4) Pull the back panel and EMI gasket off of the unit. The iScan Pro printed circuit board is seated in the bottom slot in the chassis housing.
- 5) Notice the three small metal clips straddling the board below the power input connector, the component video connector and the output connector. You will need to remove these clips and put them aside for replacement later so pay careful attention to how it is mounted on the board. (See picture on next page).
- 6) Pull the board all of the way out of the housing.

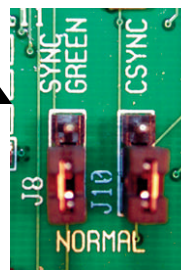
Rear of board



Front of board

Modifying Composite Sync Jumper Setting

- 1) To configure the unit to output Composite Sync, locate the connector labeled "J-10", as shown. A plastic jumper should already be straddling the two pins closest to the "NORMAL" label.
- 2) Move this jumper from its current position to the two pins closest to the "CSYNC" label as shown below.

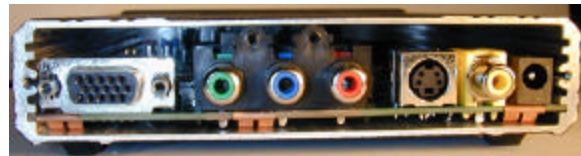


Modifying Sync-on-Green Jumper Setting

- 1) To configure the unit to merge sync with Green, locate the connector labeled "J8", as shown above. There should already be a jumper on two of the pins, closest to the label "NORMAL."
- 2) Move this jumper from its current position to the two pins closest to the "SYNC GREEN" label as shown above.

Reassembling the iScan Pro

1. Push the PC board back into the unit slowly, being careful that the bottom slots in the housing are used to guide the board and that the front indicators appear through the front panel. Verify that the front panel switches protrude fully through the panel.
2. Replace the copper grounding clips so that they tuck between the power connector, the component connector, the output connector and the PC board and so that it makes contact with the metal enclosure.
3. Place the EMI gasket and the back panel over the connectors and make sure that it is flush with the sides of the housing.
4. Screw the two screws into the rear panel of the unit.



You may want to attach a note to the iScan Pro specifying which internal setting you have changed. This will be helpful at a later time when you may need to reconfigure your iScan Pro to work with a new display device.

Note: This page intentionally left blank.

Silicon Image, Inc.
1060 E. Arques Avenue
Sunnyvale, California 94085
408-616-4000
Email: iscan@siimage.com

